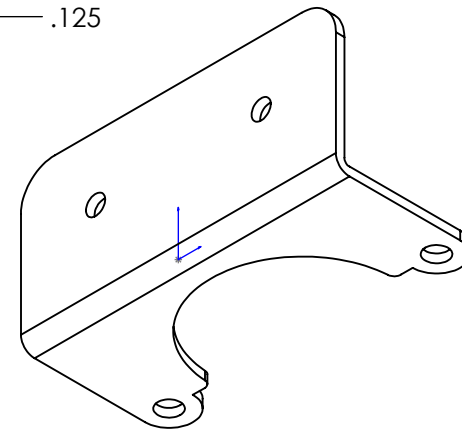
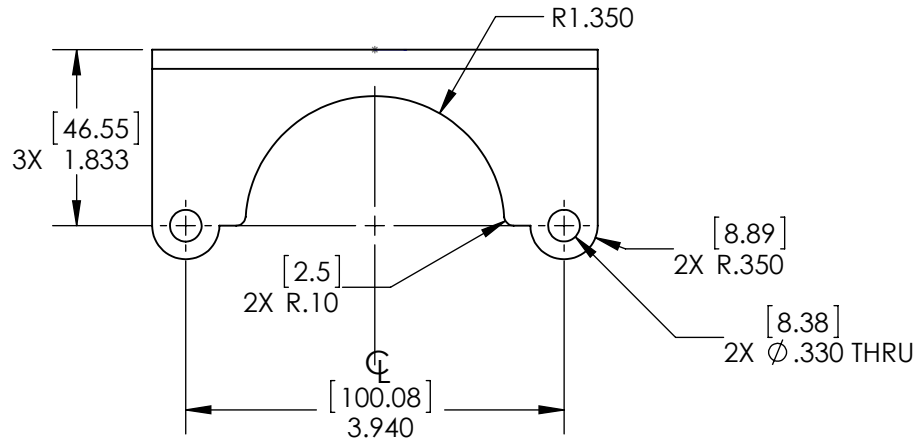
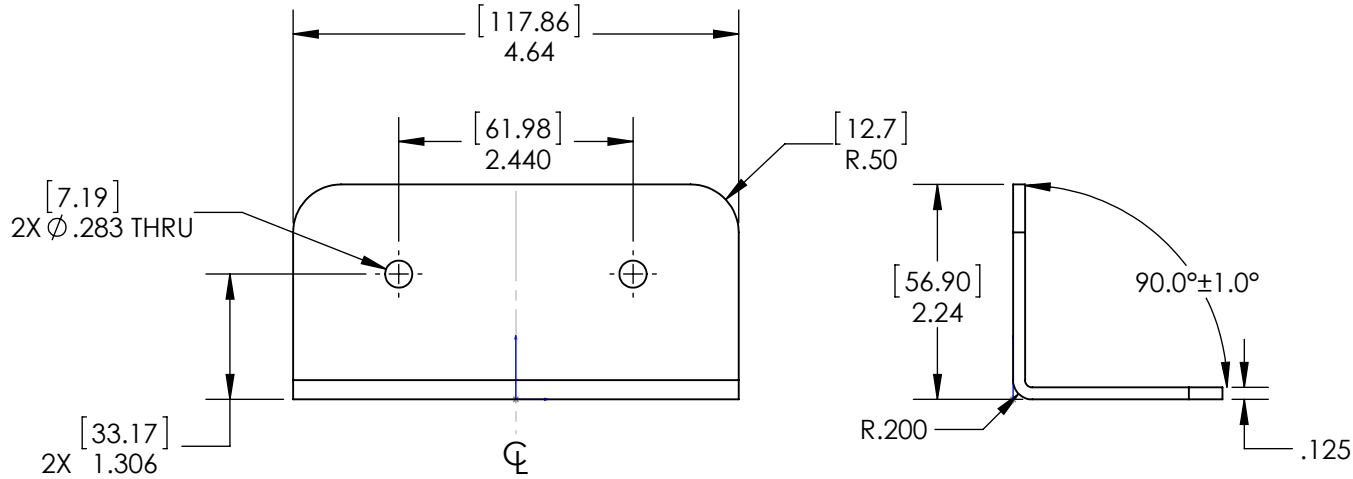


THE INFORMATION CONTAINED IN THIS DRAWING IS THE SOLE PROPERTY OF GIGAVAC LLC. ANY REPRODUCTION IN PART OR WHOLE WITHOUT THE WRITTEN PERMISSION OF GIGAVAC LLC IS PROHIBITED.

REVISIONS			
REV.	DESCRIPTION	DATE	APPROVED
1	ENGINEERING RELEASE	05/23/2014	D.C.S

NOTES:
 1. MATERIAL: 300 SERIES STAINLESS STEEL
 2. FINISH: NONE



TRIMETRIC VIEW

PARTS LIST			
UNLESS OTHERWISE SPECIFIED DIMENSIONS ARE IN INCHES		CAD GENERATED DRAWING, DO NOT MANUALLY UPDATE	
TOLERANCES ARE:		 6382 ROSE LANE, CARPINTERIA, CA www.gigavac.com	
.X ±.05	∠ ±.5°	APPROVALS	DATE
.XX ±.01	✓ SEE NOTES	DRAWN	05/23/2014
.XXX ±.005		CHECKED	
.XXXX ±.0005		RESP ENG	
MATERIAL AND FINISH		SIDE MOUNT BRACKET, HBD	
SEE NOTES		SIZE DWG. NO.	REV
DO NOT SCALE DRAWING		A	1236
		SCALE N/A	CAD FILE: 1236.SLDDRW
		SHEET 1 OF 1	