

QS MOTOR LIMITED

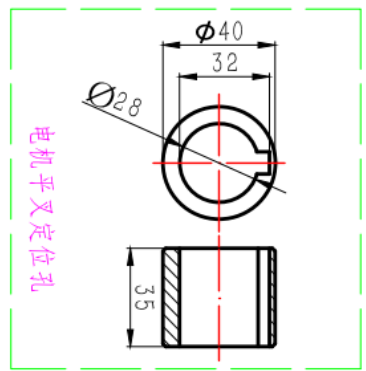
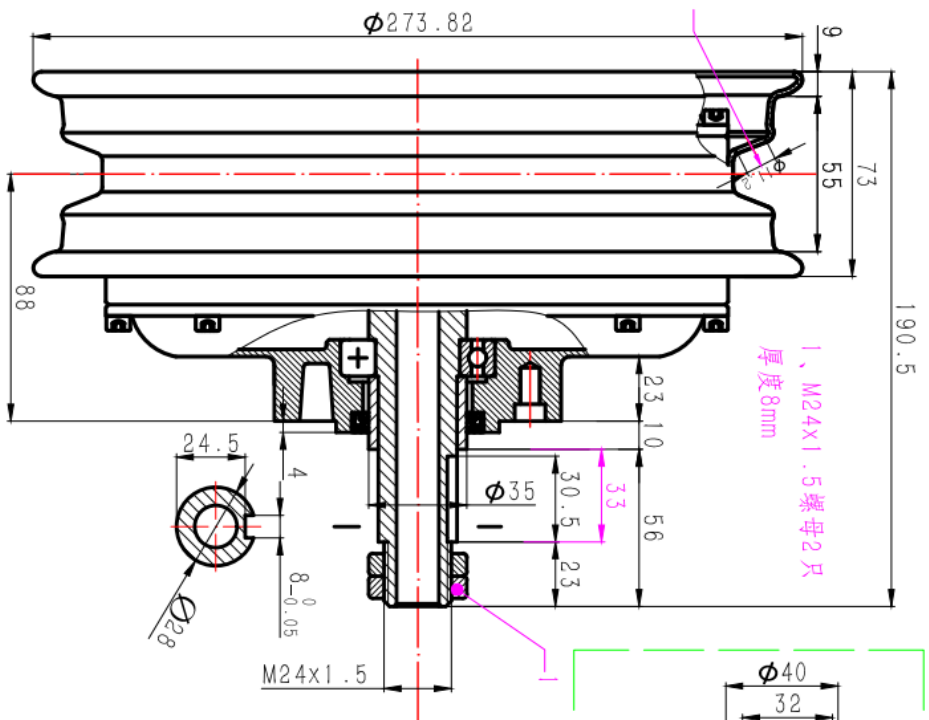
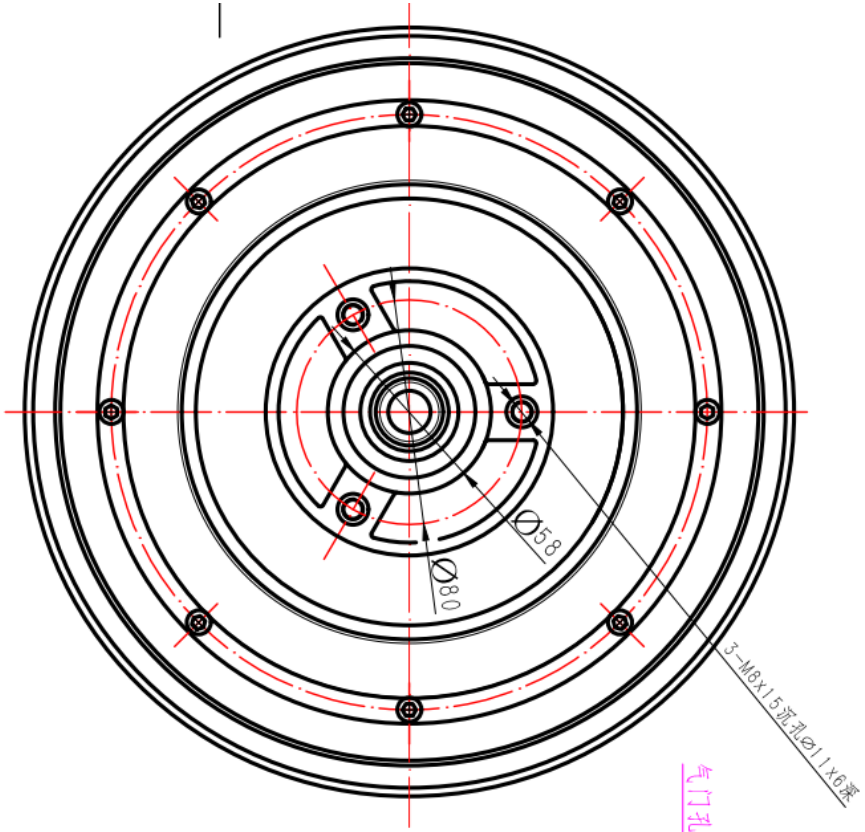
www.qs-motor.com

10inch Single Shaft In-Wheel Hub Motor(50H) 2000W V3 Type

10inch Single Hub Motor specially designed for electric scooters , Electric trike or 4-wheel electric vehicles, the rated power can be made 1000W, 1500W, 2000W, 3000W or 4000W for options.

Motor Specification:

- 1. Motor Type: BLDC Hub Motor with Permanent Magnets**
- 2. Motor design: Single axle out with 10inch rim**
- 3. Rim size:2.15-10**
- 4. Matching Tire: 3.0-10, 3.5-10**
- 5. Magnet Height: 50MM**
- 6. Pole Pairs: 16 pairs**
- 7. Rated Power: 2000W**
- 8. Peak Power: 4000W**
- 9. Rated Voltage: 72V(48-96V Can be optional)**
- 10. Speed: 65km/h (30-70km/h can be customized)**
- 11. Max No-load RPM: 1000RPM**
- 12. Max Torque: 150N.M**
- 13. Max Efficiency: 90%**
- 14. Continuous current:30A**
- 15. Max current:80A (Peak 100A in short time)**
- 16. Brake type: Disc brake**
- 17. Rear Fork width for installation: 200mm**
- 18. Winding Core material: Aluminium**
- 19. Cross Section of Phase wire: 8 mm²**
- 20. Hall sensor phasing angle: 120 degree**
- 21. Temperature Sensor: Optional**
- 22. Max. Working Temperature: 70 degree, Peak 120 degree**
- 23. Waterproof Grade: IP54**
- 24. Color: Black or Silver**
- 25. N.W./ G.W. : 13kgs / 14kgs**
- 26. Package Size: 34*34*33CM**



配置轮胎规格：3.00-10或者3.50-10

QS MOTOR



High quality, Green travel

QS MOTOR



High quality, Green travel

QS MOTOR



High quality, Green travel